

## Features

- Universal input 100-240VAC
- Output Power: 24-48W
- Plastic Enclosure
- Approved to UKCA, CE
- LVD & EMC Class B Certified, RoHS & REACH compliant
- 12V Lead Acid 3 Stage Control (Fast/Normal/Float)
- OVP, OCP, OTP & Short Circuit
- Dimensions: Dependent on Model
- Weight: Dependent on Model

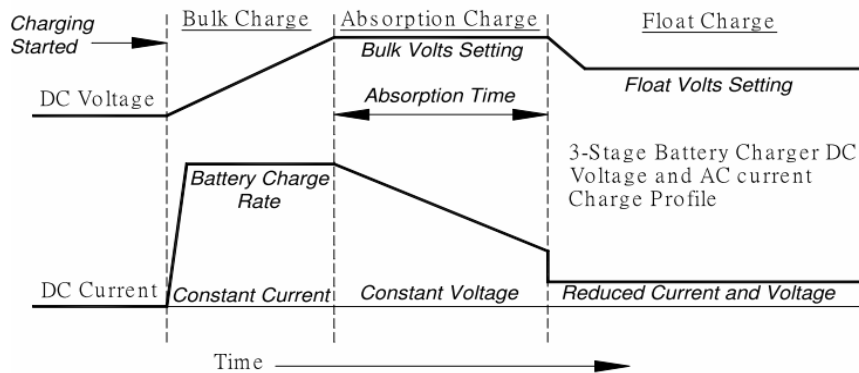


Ideal Power's 31ACWW12\_24A-IP Range of 12V Lead Acid Battery Chargers Series are certified to UKCA, CE, RoHS, REACH & EN 62368-1 Standards and comply with the relevant Efficiency Regulations. These are primarily used in ITE, Audio & Video Industries and customised solutions are available upon request.

Models	31AC0212A-IP	31AC0224A-IP
Input Voltage	100V ~ 240V universal	
Input Frequency	47Hz ~ 63Hz	
Output Max Current	2Amp	2Amp
Output Power	24W	48W
Max Charging Current	2A +/- 0.2A	
Working Temperature	0 ~ 50 °C	
Hold up Time	8 ms at full load output power and 115 Vac input	
Battery Application	Lead Acid Battery	
LED - Charging	Red	
LED - Charged	Green	
Mains Lead	1.8M EURO Plug + 1.8M UK Fuse Plug	
DC Cable	SPT2, 2C, 18AWG, 1.8M mount clips	
Dimensions	119 x 61 x 37 (LxWxH) mm	
Weight	0.5 (Kgs)	
Safety	CE, CUL	

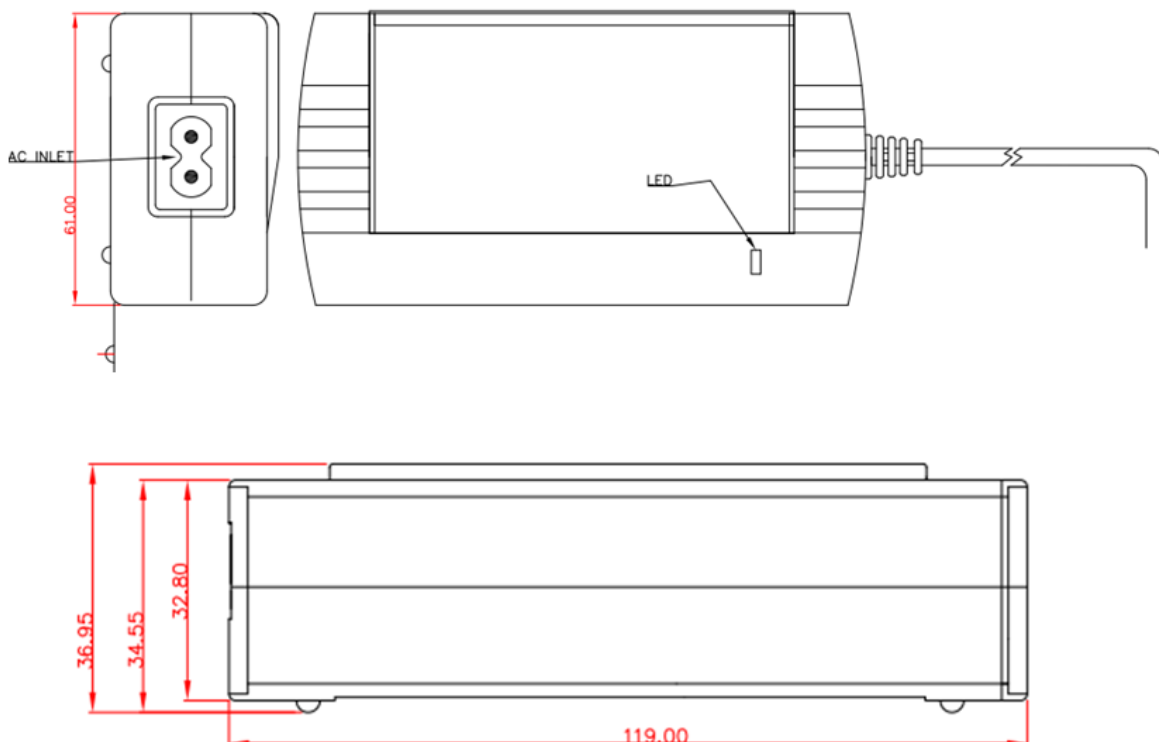
Specifications subject to change without notice.

Three Steps of Charging & Charge Curve



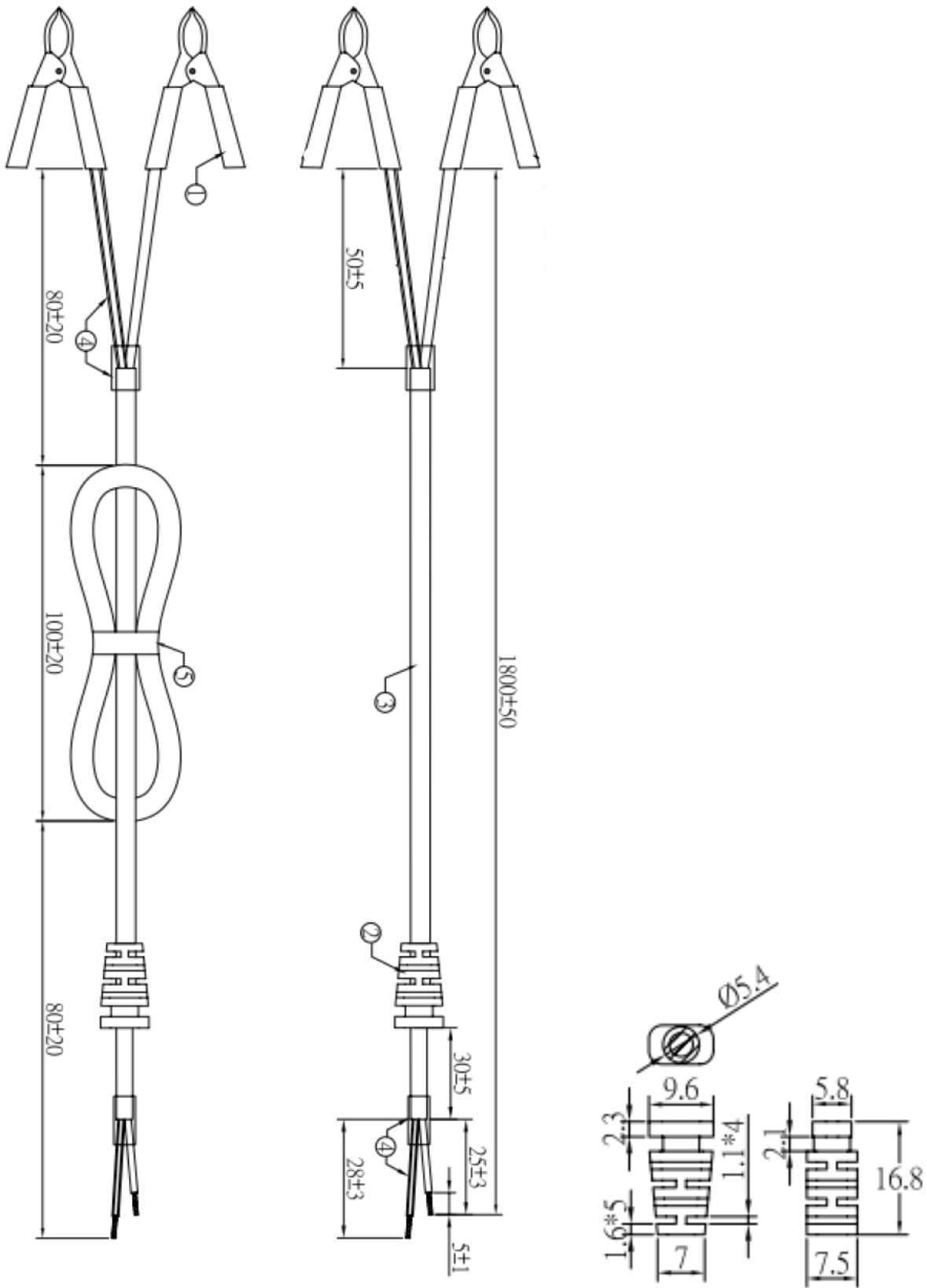
Step 1	Bulk charge – bring batteries to 75% capacity fast. During this stage charging occurs at full power, which means maximum current, until the battery voltage reached the set limit.
Step 2:	Absorption Charge, boost – slow the current flow, adjusting for maximum efficiency and gently topping off batteries. During absorption charging the current decreases as the battery approached full charge.
Step 3	Trickle Charge – for longer period, maintains fully charged batteries without harmful effects of overcharging and cooking. Trickle charge is intended to keep the battery in a fully charged state and compensates for self-discharge. When the current reaches setting point the battery switches to a maintenance charge at a constant voltage. Should the battery be in use and the charge current Subsequently exceed setting point the charger will automatically return to the beginning of the three-step charge characteristic.

Case Drawing



AC - DC

Cables



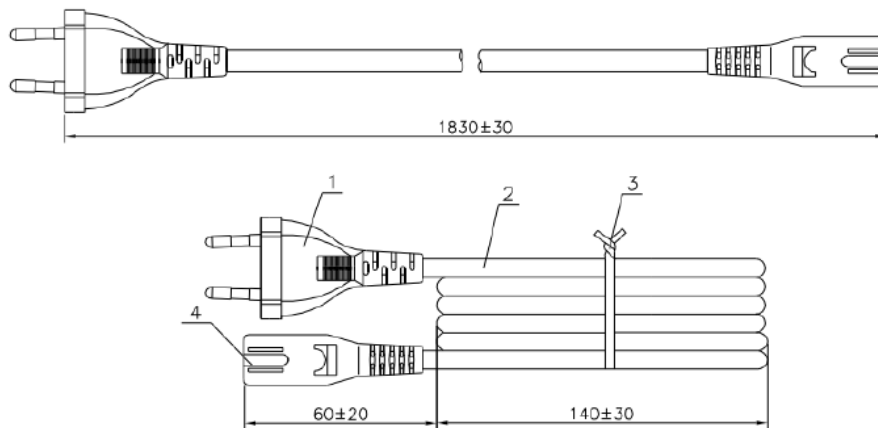
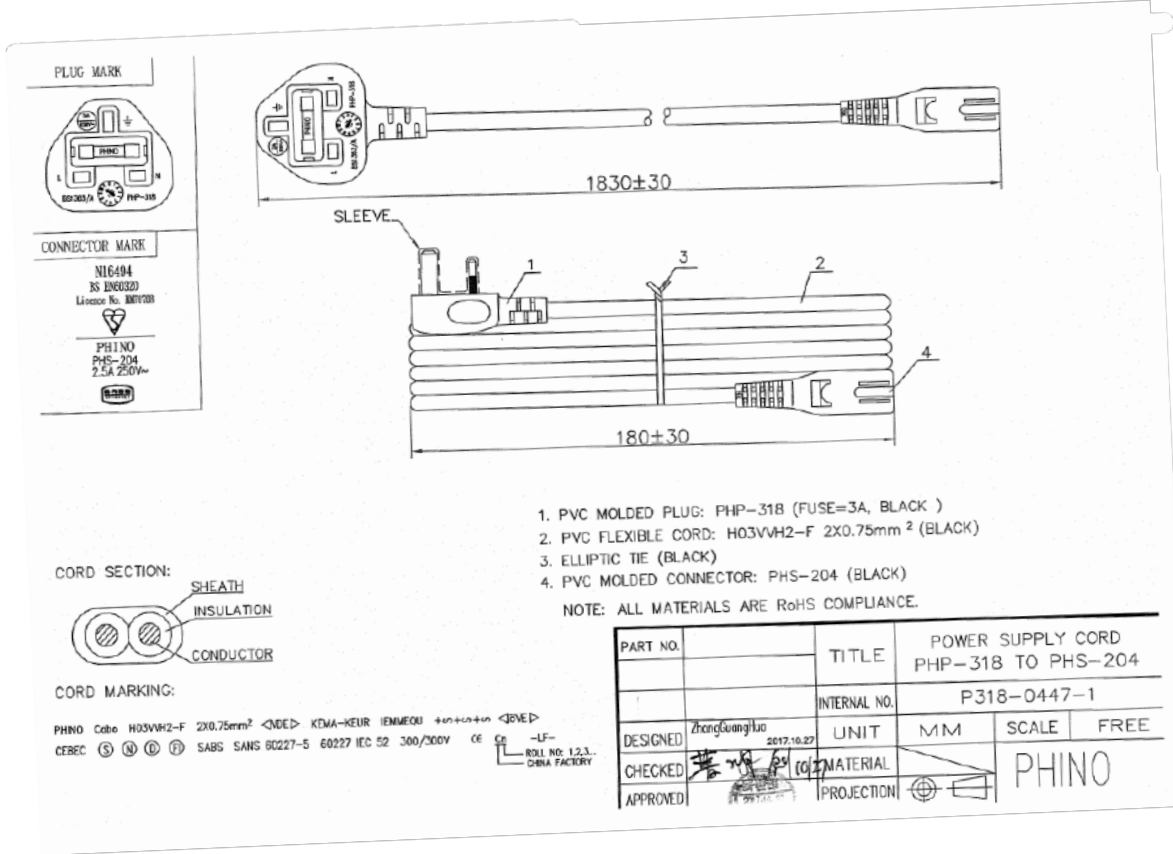
AC - DC

Ideal Power Limited

14 Larks Way, Tree Beech Enterprise Park, Gunn, Barnstaple, Devon, England, EX32 7NZ.

www.idealpower.co.uk | +44 (0) 845 260 3400

**Mains Lead**



**CORD SECTION:**



**CORD MARKING:**

PHINO H03VVH2-F 2X0.75mm<sup>2</sup> <VDE> KEMA-KEUR IENMEQU ++++++ <VDE>  
<VDE> CEBEC (S) (N) (C) (P) LTSA-2F N18895 SABS 1574:2001 227 IEC 52  
CE LF ROLL NO: 1,2,3... CHINA FACTORY

P/N		TITLE	POWER SUPPLY CORD PHP-205 TO PHS-204		
		INTERNAL NO.	P205-S204 050825		
DESIGNED	HUANG LI 2005.05.25	UNIT	MM	SCALE	
CHECKED		MATERIAL			
APPROVED		PROJECTION			

PHINO

AC - DC